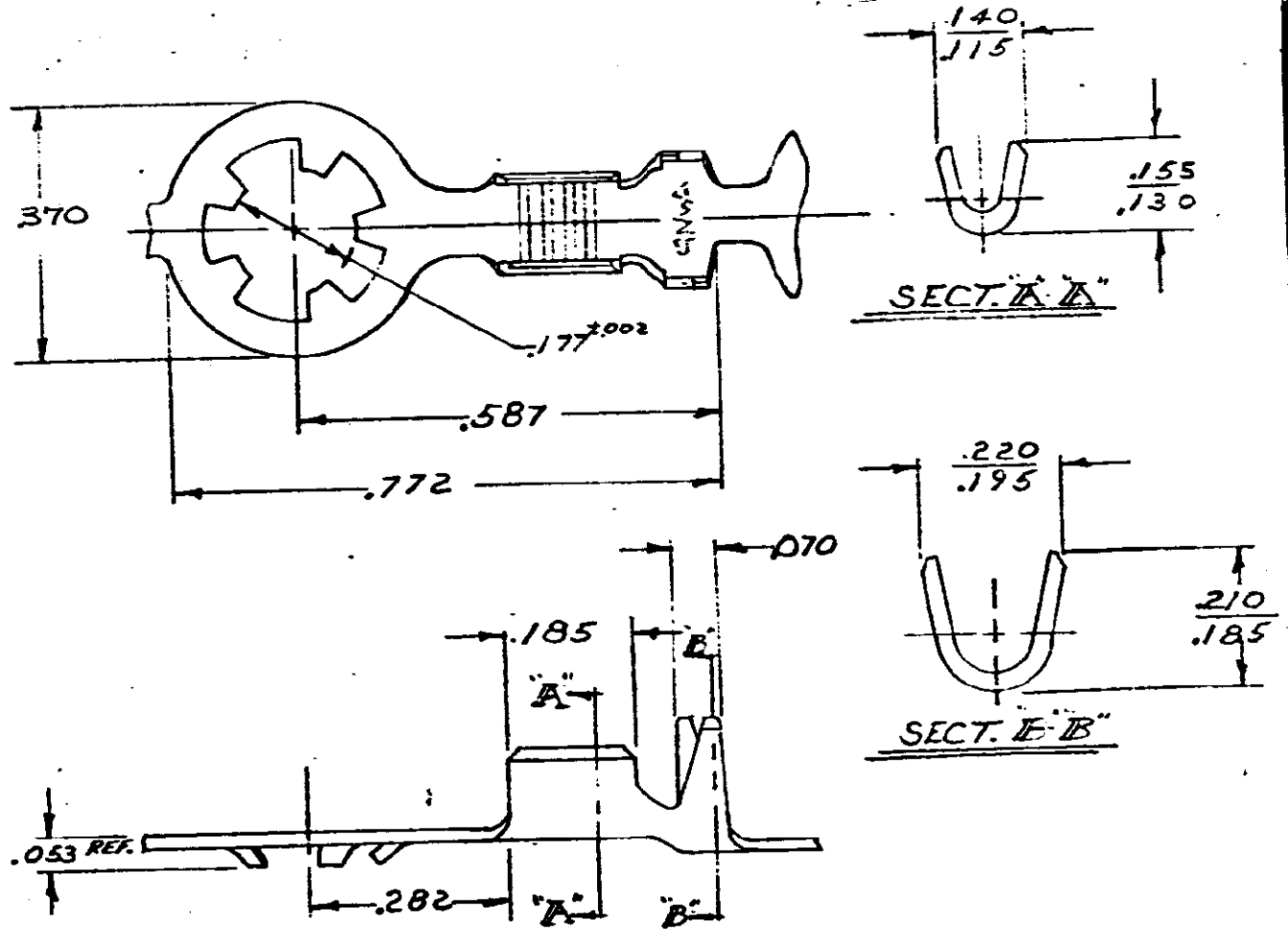


DRAWING MADE IN AMERICAN PROJECTION

NUMBER
350509



CONTINUOUS STRIP, ON REELS

PART NO.
350509-1

DIMENSIONS IN INCHES. DO NOT SCALE PRINT.

UNPUBLISHED COPY NOT TO BE
REPRODUCED NOR PUBLISHED
WITHOUT WRITTEN PERMISSION
AMP INCORPORATED.

© 1973 BY AMP INCORPORATED. ALL RIGHTS
RESERVED. AMP PRODUCTS COVERED BY
PATENTS AND/OR PATENTS PENDING

CUSTOMER COPY
REFERENCE ONLY

MATERIAL AND FINISH
025 3F488



AMP INCORPORATED
HARRISBURG, PENNA.

WIRE — RANGE — INSULATION
#22-16 | .105 MAX

CLASS

TYPE

LTR	REVISION RECORD	ECN	OP	CHN	DATE
	A. M. S. Revision				

TOLERANCE EXCEPT
AS NOTED
± .015 ± 1° 0'

SCALE

LOC
A

NO 350509

REV
A

NAME

RING